

## Beosystem 2500 setting-up guide

*This guide explains how to assemble the Beosystem 2500 and make it ready for use. We recommend that you follow these instructions carefully.*

*See the Beosystem 2500 user's guide (also enclosed) for detailed operating instructions.*

***Do not connect the Beosystem 2500 to the mains until you have finished the setting-up procedure and connected all the cables.***

## Before you start...

Make sure that the following parts are available before you start setting up the Beosystem ready for use:

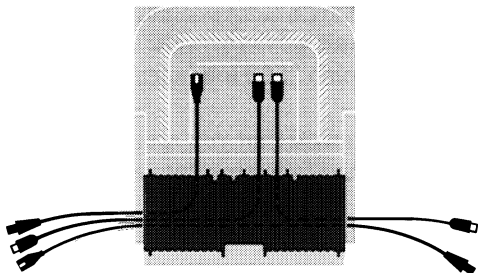
- Two glass doors
- Cable cover + two screws
- FM indoor antenna
- Mains lead
- Centre unit
- Two Beolab 2500 loudspeakers

We recommend that you assemble the system in the following sequence:

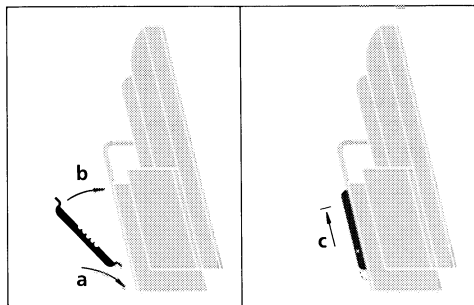
- 1 *Fasten the cable cover to the back of the centre unit*
- 2 *Place speakers on each side of the centre unit*
- 3 *Interconnect speakers and centre unit*
- 4 *Connect the FM antenna and the AM antenna, if any, to the centre unit*
- 5 *Connect any auxiliary equipment*
- 6 *Loosen the transport screw for the CD drive mechanism*
- 7 *Fasten the glass doors to the front of the centre unit*
- 8 *Connect the system to the mains... and it is ready for use*

## Centre unit (1)

Place the centre unit on a firm surface, preferably the table or sideboard where you want to place the Beosystem permanently.



Arrange the connector cables in the cable cover as shown.



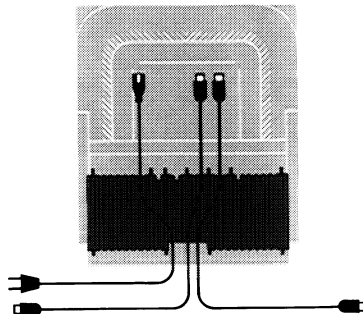
To fasten the cable cover to the rear panel grill of the centre unit, do as follows:

- a. Insert the bottom row of pegs into the grill.
- b. Push the top row of pegs into the grill.
- c. Pull the cable cover upwards until the pegs mesh properly with the grill.

*Note: Additional cables, for example from auxiliary equipment, may also be run behind the cable cover, together with the existing cables. If you want to do so, you must connect the equipment to the Beosystem before you fasten the cable cover to the centre unit.*

## Loudspeakers (2)

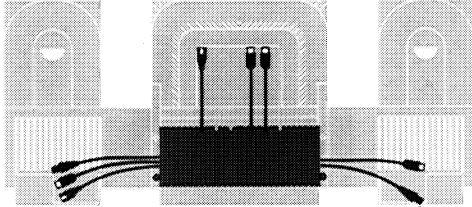
Place the loudspeakers on each side of the centre unit. Make sure the centre unit and the loudspeakers are flush with each other.



If you intend to place the loudspeakers further away from the centre unit, the connector cables should be run as shown here.

### Cable connections (3)

Interconnect the centre unit and the loudspeakers by means of the cables coming out from the cable cover.



The cables coming out to the left are for the right-hand speaker:

- One 5-pin DIN speaker plug to 8-pin DIN socket
- One male power plug to female power socket
- One female power plug to male power socket

The cables coming out to the right are for the left-hand speaker:

- One 5-pin DIN speaker plug to 8-pin DIN socket
- One male power plug to female socket

*Note: The remaining male socket on the left-hand speaker is for connection to the mains.*

The cables coming out at the top of the cable cover are for the centre unit:

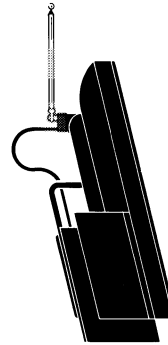
- One female power plug to male power socket
- Two 5-pin DIN speaker plugs to 8-pin sockets marked POWER LINK (left and right)

### Antenna (4)

Connect the FM antenna to the socket marked FM and the AM antenna, if any, to the socket marked AM.

The enclosed indoor FM antenna can be hooked on to the holder on the back of the centre unit.

*Note: Only Beosystems with the type numbers 2706, 2707, 2708, 2709, and 2710 are equipped to receive stations in the AM band.*



### Auxiliary equipment (5)

The socket marked AUX enables you to connect compatible Bang & Olufsen equipment, for example a second audio tape recorder, a record player, or a Beovision TV.

*Consult your Bang & Olufsen dealer for details of compatible products.*

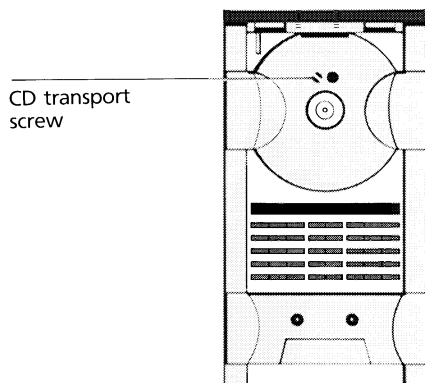
The AUX socket can also accommodate auxiliary equipment of other makes.

## Loosening transport screw (6)

The transport screw for the CD drive mechanism is located under the CD clamp. Lift the CD clamp to gain access to the screw.

Loosen the screw by turning it anti-clockwise until the mechanism feels springy.

Lower the CD clamp again.

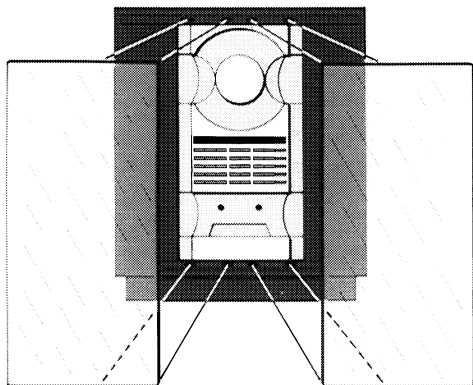


## Glass doors (7)

Fasten the two glass doors to the front of the centre unit by pressing their fastening points to the corresponding fastening points on the centre unit.

*Note: The labels on the back of the glass doors indicate which end must point up, and which side must point to the centre.*

Press gently on each of the four fastening points afterwards until you hear a click. The click indicates that the glass doors are properly seated.



***Note: Treat the glass doors with care! If they crack or chip or if they are damaged in any other way, they should be replaced immediately as they could otherwise cause bodily harm. You can order replacement doors through your Bang & Olufsen dealer.***

## Ready for use... (8)

Finally, connect the system to the mains using the mains lead provided.

Three tiny red lights now appear: one in the centre unit display and one on the bottom edge of each loudspeaker.

They indicate that the system is on stand-by, ready to be used.

## Audio/Video system setup

If you have connected a compatible Bang & Olufsen TV to the AUX socket, you can use the Beolink 5000 terminal to remote control both the TV and the Beosystem 2500.

*See the Beolink 5000 user's guide for further details.*

If the Beosystem 2500 and the TV are placed in separate rooms, you will have to reprogram them for this setup (called an option 2 setup) so that you can operate your Beosystem 2500 via the TV and vice versa.

To do so, switch them to the stand-by mode, then press SOUND, 2, STORE to reprogram the Beosystem, and press PICTURE, 2, STORE to reprogram the TV.

*Note: To reprogram the Beosystem and the TV for the factory setup (option 1 setup), use the same programming procedure, but press 1 instead of 2.*

*The use of any controls, adjustments or procedures other than those specified herein may result in hazardous radiation exposure.*



*The black and yellow label on the compact disc player serves as a warning that the apparatus contains a laser system and is classified as a class 1 laser product. In case of any trouble with the compact disc player, please contact your Bang & Olufsen dealer. The apparatus must be opened by qualified servicemen only.*

*This Beosystem fulfils the conditions stated in the EEC directive 82/499 concerning radio frequency interference.*

### Special note for the UK market

*The wires in the mains lead supplied with this apparatus are coloured in accordance with the following code:*

*Blue: Neutral*

*Brown: Live*

*As the colours of the wires in the mains lead may not correspond with the coloured markings identifying the terminals in your unit, proceed as follows:*

*The wire which is coloured blue must be connected to the terminal which is marked with the letter N or coloured black.*

*The wire which is coloured brown must be connected to the terminal which is marked with the letter L or coloured red.*

*Ensure that your equipment is connected correctly. If you are in any doubt, consult a qualified electrician.*

## International guarantee

This Bang & Olufsen product carries a guarantee against defects in workmanship and materials. The terms of the guarantee apply to the country of purchase but will be met by authorized Bang & Olufsen dealers in other countries. The guarantee period applying to the country of purchase takes priority over guarantee periods applying in other countries, even where differences exist.

In order to obtain service under this guarantee, a certificate stating the following information is required:

- Name of product and type number
- Serial number
- Date of purchase
- Guarantee period
- Dealer's or supplier's signature